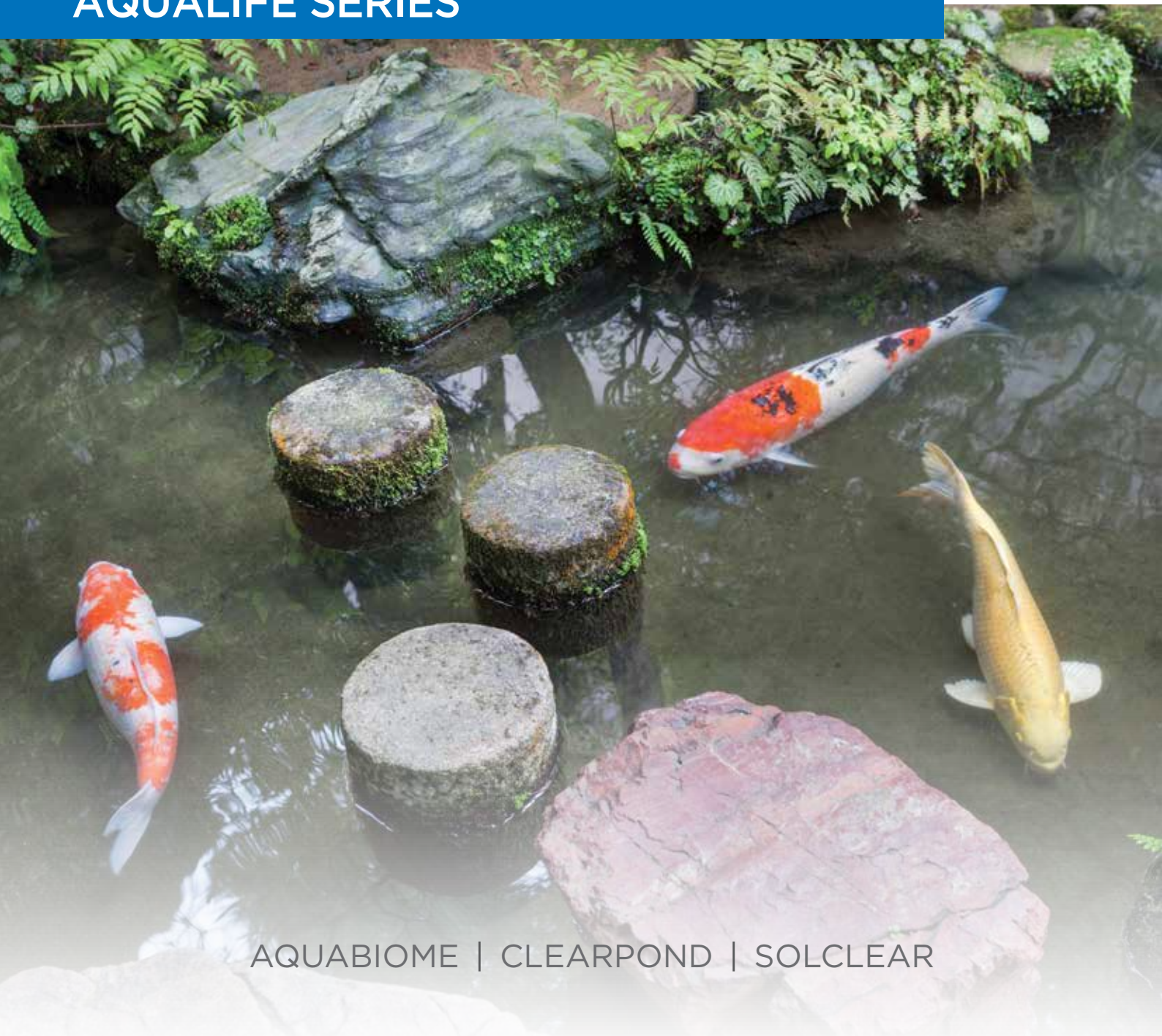


# ENHANCED BIOLOGICAL FILTRATION SYSTEM

AQUALIFE SERIES



AQUABIOME | CLEARPOND | SOLCLEAR

# AQUABIOME

## Biological Filter



### **COST-EFFECTIVE BIOLOGICAL FILTER**

Aquabiome has been engineered specifically for ponds and water gardens. Aquabiome provides mechanical and biological filtration in a single housing. Its ability to support dense populations of nitrifying bacteria, its reliability and easy maintenance, makes Aquabiome especially suitable for high density recirculation systems.

#### **Effective**

Excellent Nitrification and mechanical filtration.

#### **Efficient**

Hydraulically efficient filter design, balanced slotted laterals to maximize water flow and filtration.

#### **Durable**

Corrosion resistant and UV stabilised for outdoor installation.

#### **Air-Backwash**

Air assisted hydraulic backwash, saving time and water.

#### **Superior Quality**

Aquabiome fibreglass filters embody the latest in fibreglass winding technology



## Specifications

Aquabiome	ASM500	ASM600	ASM750	ASM900
Nominal Diameter, mm	500	600	750	900
Filter Surface Area, m <sup>2</sup>	0.20	0.30	0.44	0.64
Bed Depth, mm	290	360	400	440
Media Volume, litres	68	117	199	303
Media Weight, kg	34	58.5	99.5	151.5
Biofilter Surface Area m <sup>2</sup>	74.8	128.7	218.9	333.3
Inlet/Outlet Connections	40mm	40mm	50mm	50mm
Filtration Flowrate, m <sup>3</sup> /hr	7.20	10.80	15.84	23.04
Backwash Flowrate, m <sup>3</sup> /hr	9.60	14.40	21.12	30.72
Recommended Pond Size, L	14,400	21,600	31,680	46,080
Feed Rate, kg per day	0.5	0.9	1.5	2.4
Total Ornamental Fish Weight*, kg	16.7	30	50	80
Total Aquaculture Fish Weight*, kg	50	90	150	240

\* Maximum fish stocking weight depends on the percentage of body weight fed daily.

- Ornamental fish weight based on feeding rate of 3% of body weight.
- Aquaculture fish weight based on feeding rate of 1% of body weight.

## Dimensions (mm)

Aquabiome	Length (L)	Width (W)	Height (H)
	mm	mm	mm
ASM500	815	650	875
ASM600	1040	650	925
ASM750	1325	830	985
ASM900	1328	930	1110



## Warranty

Item	Domestic	Commercial
Aquabiome (ASM) Body	5 years	1 year
Aquabiome Blower	1 year	1 year
Multiport Valve, Fittings & Gauges	1 year	1 year

\*Please refer to Waterco's warranty terms and conditions

# CLEARPOND

## Enhanced Ammonia Removal & Dual Filtration

### Dual Filtration

ZeoPlus provides excellent mechanical filtration of suspended particles. In addition to trapping the larger particulates between the grains of the ZeoPlus (similar to the filtration mechanism of sand), ZeoPlus is also capable of filtering the smaller particulates by catching them within its micro porous structure and surface irregularities.

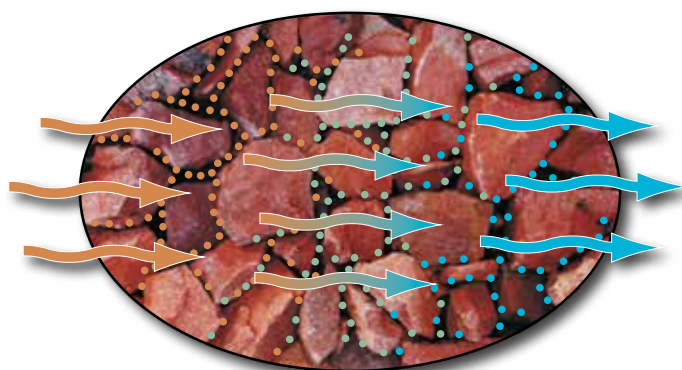
It is this dual filtration action that helps ZeoPlus achieve superior water clarity.



### Ammonia Removal

Ammonia is released whenever fish waste or fish food breaks down in the pond water. This chemical is very toxic to the fishes and it should be removed immediately or it needs to be converted to nitrates by nitrifying bacteria.

ZeoPlus is particularly suitable for koi ponds where high levels of ammonia are an ever present danger.



### Specifications

Model No.	Valve Size	Inner Dia.	Filter Area	Bed Depth	Max. Flow*	Media Volume	ZeoPlus 0.6 - 1.2 mm
	mm	mm	sq.m <sup>2</sup>	mm	lpm	litres	kg
CP500	40	500	0.20	250	157	62	75
CP600	40	600	0.28	250	226	89	107

### Warranty

Item	Domestic	Commercial
Filter tank	10 years	5+5 years pro rata
Multiport Valve, Fittings & Gauges	1 year	1 year

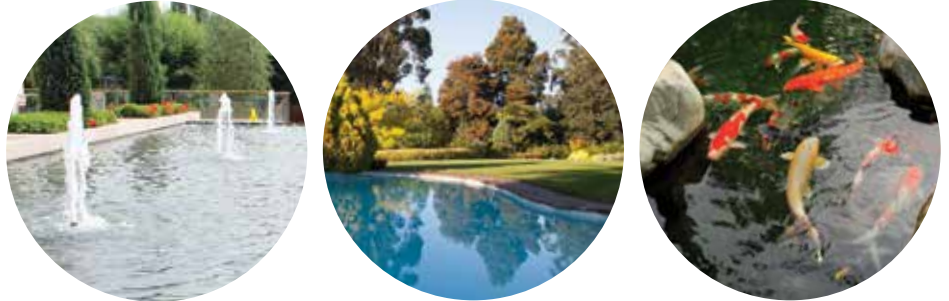
\*Please refer to Waterco's warranty terms and conditions

# SOLCLEAR

## Multi-Purpose UV Water Disinfection

### Solclear

Waterco UV water disinfection, Solclear UV steriliser uses environmentally friendly ultraviolet technology for the disinfection of water. It offers the following features:



- High-output, energy-efficient electronic ballast
- Fully serviceable for easy maintenance
- Easy to install
- UV bulbs deliver high output
- No dead spots in the filament
- Longer-lasting UVC bulb lifespan
- Average lamp life expectancy: 9,000 hours

### Durable and Long-lasting

**Solclear 90 and 150** come with a UV lamp that is encapsulated inside a stainless-steel casing. With proven reliability of sturdy housing, Solclear 90 and 150 are suitable for use in fountains, water features and koi ponds.



### Rust-free UV Steriliser

Manufactured in the UK, **Solclear 300 V and 400 V** have been specifically designed to deliver exceptional performance and excellent water clarity while being economical to run. It has been designed to run in a wide range of applications, where chemical treatment and seawater are present.



Manufactured in The UK 

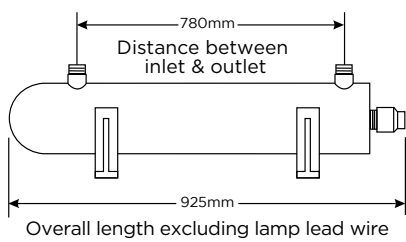
## Specifications

Model No.	Flow rate		Number of bulbs	Casing material	Maximum working pressure	Water connections
	lpm	gpm				
Solclear 90	90	24	1 × 40 W	Stainless steel	100 psi (6.9 bar)	1 ½" BSP
Solclear 150	150	40	1 × 40 W	Stainless steel	100 psi (6.9 bar)	1 ½" BSP
Solclear 300 V	300	80	1 × 55 W	UV-protected ABS	36 psi (2.5 bar)	2.0" / 63 mm
Solclear 400 V	400	106	2 × 55 W	UV-protected ABS	36 psi (2.5 bar)	2.0" / 63 mm

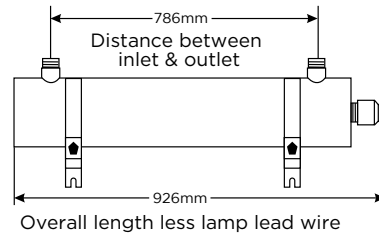
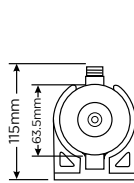
Lamp life : 9,000 hours

Input Voltage : 220 V - 240 V

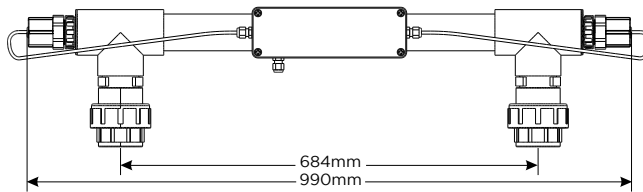
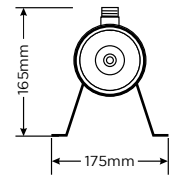
## Dimension (mm)



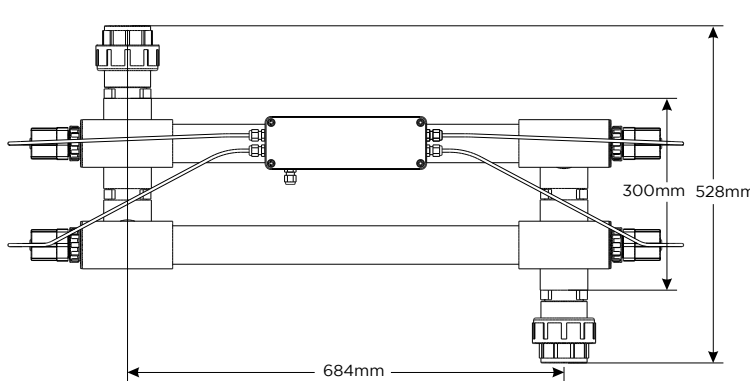
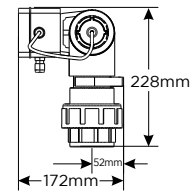
Solclear 90



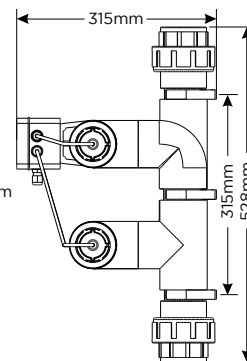
Solclear 150



Solclear 300 V



Solclear 400 V



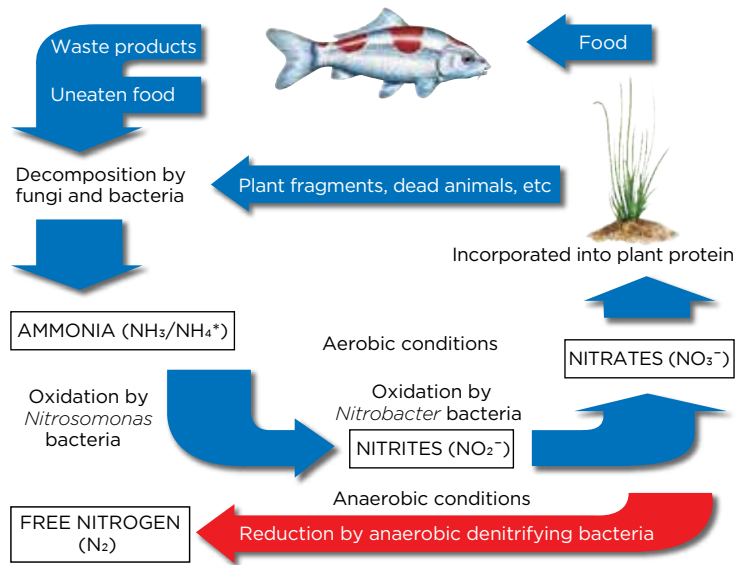
## Warranty

Item	Domestic	Commercial
Solclear	1 year	1 year

## Nitrogen Cycle

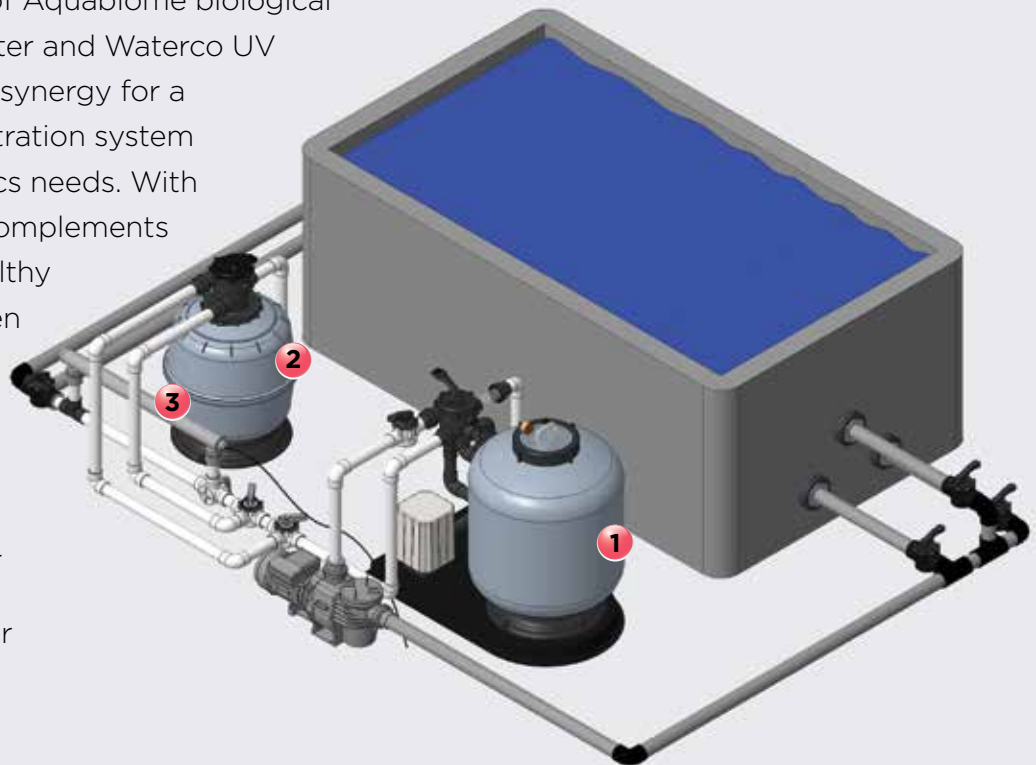
The cycle begins when fish eat and then excrete ammonia. Bacteria in the biological filter eats the ammonia and excretes nitrite. Nitrite is also toxic to fish and needs to be removed.

Another type of bacteria in the filter eats nitrite and excretes nitrate. Nitrate is non-toxic to fish in small quantities and is used by plants as fertiliser. The entire cycle then repeats itself upon completion.



The combination of Aquabiome biological filter, ClearPond filter and Waterco UV steriliser creates a synergy for a complete water filtration system for your aquaponics needs. With each equipment complements one another, a healthy ecosystem between aquatic livestock and crops is established.

- 1 Aquabiome biological filter
- 2 ClearPond filter
- 3 Waterco UV steriliser



# **WATERCO**

**water, the liquid of life**

Waterco pioneers reliable solutions for healthy, safe water environments, which are used in residential, commercial and industrial applications in over 40 countries.

Established in 1981, it has since become a global brand recognised for designing and manufacturing filtration and sanitisation innovations for the swimming pool, spa, aquaculture, and water purification sectors.



## CONTACT WATERCO

Waterco's head office is situated in Sydney, Australia with international offices, manufacturing plants and warehouses located in Australia, New Zealand, Malaysia, Indonesia, Singapore, China, Vietnam, the US, Canada, and the UK.

### OFFICES - AUSTRALIA

NSW - Sydney (Head Office)  
Tel: +61 2 9898 8600  
QLD - Brisbane  
Tel: +61 7 3299 9900  
VIC/TAS - Melbourne  
Tel: +61 3 9764 1211  
WA - Perth  
Tel: +61 8 9273 1900  
SA/NT - Adelaide  
Tel: +61 8 8244 6000  
ACT Distribution  
Tel: +61 2 6280 6476

### OFFICES - OVERSEAS

Waterco (Europe) Limited  
Sittingbourne, Kent, UK  
Tel: +44 (0) 1795 521 733  
Waterco (USA) Inc  
Augusta, Georgia, USA  
Tel: +1 706 793 7291  
Waterco Canada  
Boucherville, Quebec, Canada  
Tel: +1 450 748 1421  
Waterco (NZ) Limited  
Auckland, New Zealand  
Tel: +64 9 525 7570  
Waterco (C) Limited  
Guangzhou, China  
Tel: +86 20 3222 2180

Waterco (Far East) Sdn Bhd  
Selangor, Malaysia  
Tel: +60 3 6145 6000  
PT Waterco Indonesia  
Jakarta, Indonesia  
Tel: +62 21 4585 1481  
Waterco Singapore Intl Pte Ltd  
MAPEX Building, Singapore  
Tel: +65 6344 2378  
Waterco Vietnam Company  
Limited  
Ho Chi Minh City, Vietnam.  
Tel: +84 28 3622 7780

DISTRIBUTED BY:

