



Hi-Temp Series Pumps & Filters

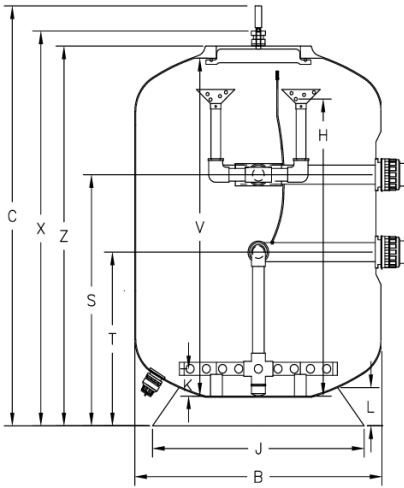
Specialized solution for
hot water filtration system

WATERCO
water, the liquid of life
www.waterco.com.my

Hi-Temp Series Filters

HIGH TEMPERATURE SIDE MOUNT FIBREGLASS FILTERS

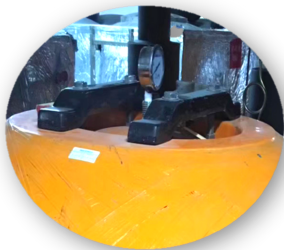
Product Description	Nominal Size
SM500	20"
SM600	24"
SM750	30"
SM900	36"
SM1050	42"
SM1200	48"



Waterco's digitally controlled filament winding machine faultlessly winds continuous strands of high quality fibreglass filament under controlled tension filament to create a seamless one-piece vessel with refined consistency and superior quality. There are no welds or seams or special tank linings which can corrode or electrolyse.

- Maximum Temperature : 70 °C
- Pressure rated at 400kPa
- Heat resistant lateral and plumbing kit
- Suitable for hot spring, massage spa and other application where hot water filtration system is needed
- Water savings up to 30%
- Ideal for low powered and energy efficient pumps
- Corrosion and UV resistant
- Additional protection with Vinylester coating on internal layer of hi-strength fibreglass body
- Fish Tail lateral system - hydraulically balanced flow and backwashing

FRP Top Manhole Cover - New!



Waterco's new FRP top manhole cover provide reliable access to the filter vessel for inspections and cleaning. The cover is constructed out of fibreglass for hot water application, all models will come with the new FRP top manhole cover by default.

- Superior strength
- High pressure & impact resistance

Specifications

Filter Model	Port Size	Inner Diameter	Filter Area	Bed Depth	Filtration Flow Rate		Media Volume	Filter Weight	Sand
	mm	mm	m2	mm	m3/hr	lpm	L	kg	kg
SM500	40	500	0.20	290.0	7.2	120	65	12	95
SM600	40	600	0.28	360.0	10.1	168	113	16	165
SM750	50	750	0.44	400.0	15.8	264	195	24	285
SM900	50	900	0.64	440.0	23.0	384	301	29	439
SM1050	80	1050	0.87	470.0	31.3	522	432	38	631
SM1200	80	1200	1.13	580.0	40.6	678	705	67	1029

Filtration flow rate is based on 36m3/hr/m2 ; Max flow rate is based on a velocity of 48m3/hr/m2

Dimension - Hi-Temp Side Mount (mm)

Model	Port Size	B	C	K	V	H	L	X	Z	J	S	T
SM500	40	520	846	100	652	585	70	813	740	445	485	282
SM600	40	622	906	105	690	601	87	873	800	484	520	317
SM750	50	772	976	113	763	652	90	943	870	620	541	337
SM900	50	923	1086	113	860	750	90	1053	980	620	591	387
SM1050	80	1077	1195	120	980	880	176	1162	1089	1045	790	435
SM1200	80	1232	1436	150	1145	982	176	1403	1330	1045	952	596

All figure tolerance 1%; Subject to modification

Hi-Temp Series Pumps



HIGH TEMPERATURE HYDROSTORM PLUS PUMPS - High Head

Product Description	Nominal Size
Hydrostorm Plus 100 - Hi-Temp - 65mm port x 65/50mm unions (1 phase)	1.0 HP
Hydrostorm Plus 200 - Hi-Temp - 65mm port x 65/50mm unions (1 phase)	2.0 HP
Hydrostorm Plus 300 - Hi-Temp - 65mm port x 65/50mm unions (3 phase)	3.0 HP

The Hydrostorm plus Hi-Temp has all the proven features of the Hydrostorm with the addition of an innovative lid & lock ring for easier maintenance and a larger strainer basket for increased capacity.

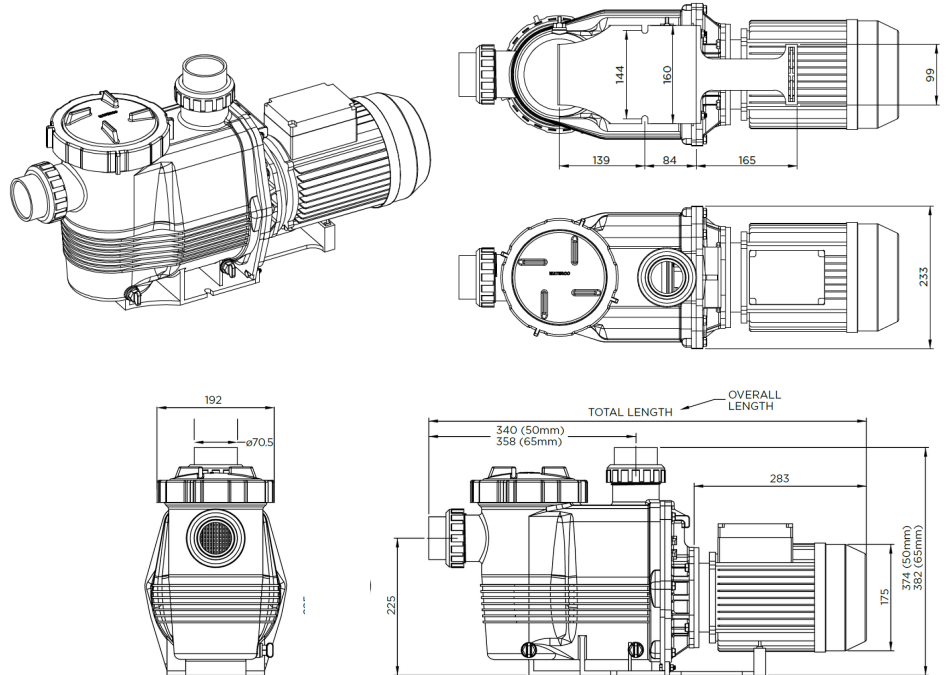
- Maximum Temperature : 70 °C
- Heat resistant engineering plastic
- Suitable for hot spring, massage spa and other application where hot water transfer system is needed
- CPVC quick connect union fitted
- 2.25 L strainer basket

Specifications

Model	Nominal HP	kW	Amp	Voltage	Weight (kg)	Total Length (mm)	Motor Frame (mm)	Inlet / Outlet
Hydrostorm Plus 100- Hi-Temp	1.0	0.91	4.0	220	18	631	71	65mm port x 65/50mm unions
Hydrostorm Plus 200- Hi-Temp	2.0	1.46	5.9	220	20	678	80	65mm port x 65/50mm unions
Hydrostorm Plus 300- Hi-Temp	3.0	2.20	4.1	380 - 415	25	730	90	65mm port x 65/50mm unions

*Seawater application mechanical seal for salinity up to 50000ppm or 5% salinity

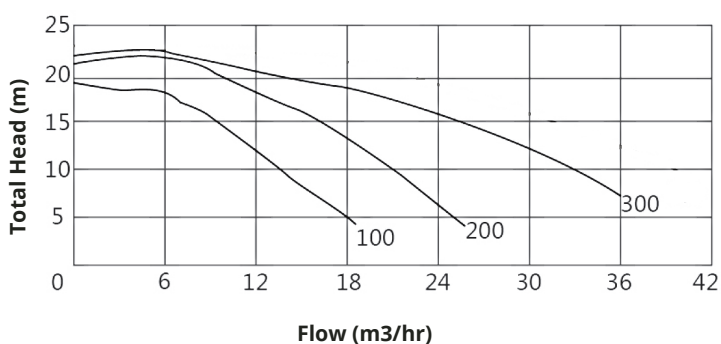
Dimension



Site Installation - Hi-Temp Series



Hydrostorm Plus Flow Curves



Hydrostorm Plus Sound Level

