

# OXISWIM

Dual Sanitisation System



*Freshwater swimming at your finger tips*

**WATERCO**

water, the liquid of life

[www.waterco.com](http://www.waterco.com)

# OXISWIM

## Dual Sanitisation System

The Oxiswim sanitisation system revolutionises - and simplifies - how a swimming pool or spa is managed and maintained. It is the result from many years of research looking for healthier alternative sanitisers to chlorine.

It combines all of the most practical ways to sanitise pool and spa water and puts them at the fingertips of the pool owner.

Oxiswim allows you to run your pool and spa as:

- Freshwater pool: a lovely and silky-smooth bathing experience, minus the chlorine irritants
- Winter or chlorine pool: operate your pool with no extra sanitisers, reducing off-season costs

*Oxiswim gives you a back-to-nature swimming experience whenever you want.*



*Enjoy a freshwater experience*



### Wellbeing:

- Enjoy a soothing freshwater experience
- Asthma-friendly option when operating in the freshwater mode
- Safe swimming environment
- Can be used in combination with Waterco's Mineral Crystals or Mineral Vitale salts



enjoy soothing freshwater



Mineral Crystals or Vitale combination used

### Convenience:

- Switch between chlorine and freshwater experience at will
- Easy to use, run it with minimal guidance
- Can be retrofitted to your existing saltwater chlorinated pool
- Less build-up of chemical residues



switch between chlorine & freshwater



less chemical residues

### Pool environment:

- Inbuilt pH dosing pump produces perfectly balanced pool water
- Ideal for newly built and existing pools
- Low maintenance technology in a simple package
- Less corrosive to pool equipment while surrounds last longer



perfectly balanced pool water



low maintenance

## **A world of difference - chlorine and chlorine dioxide**

Despite a shared name, chlorine and chlorine dioxide are two distinctly different chemicals.

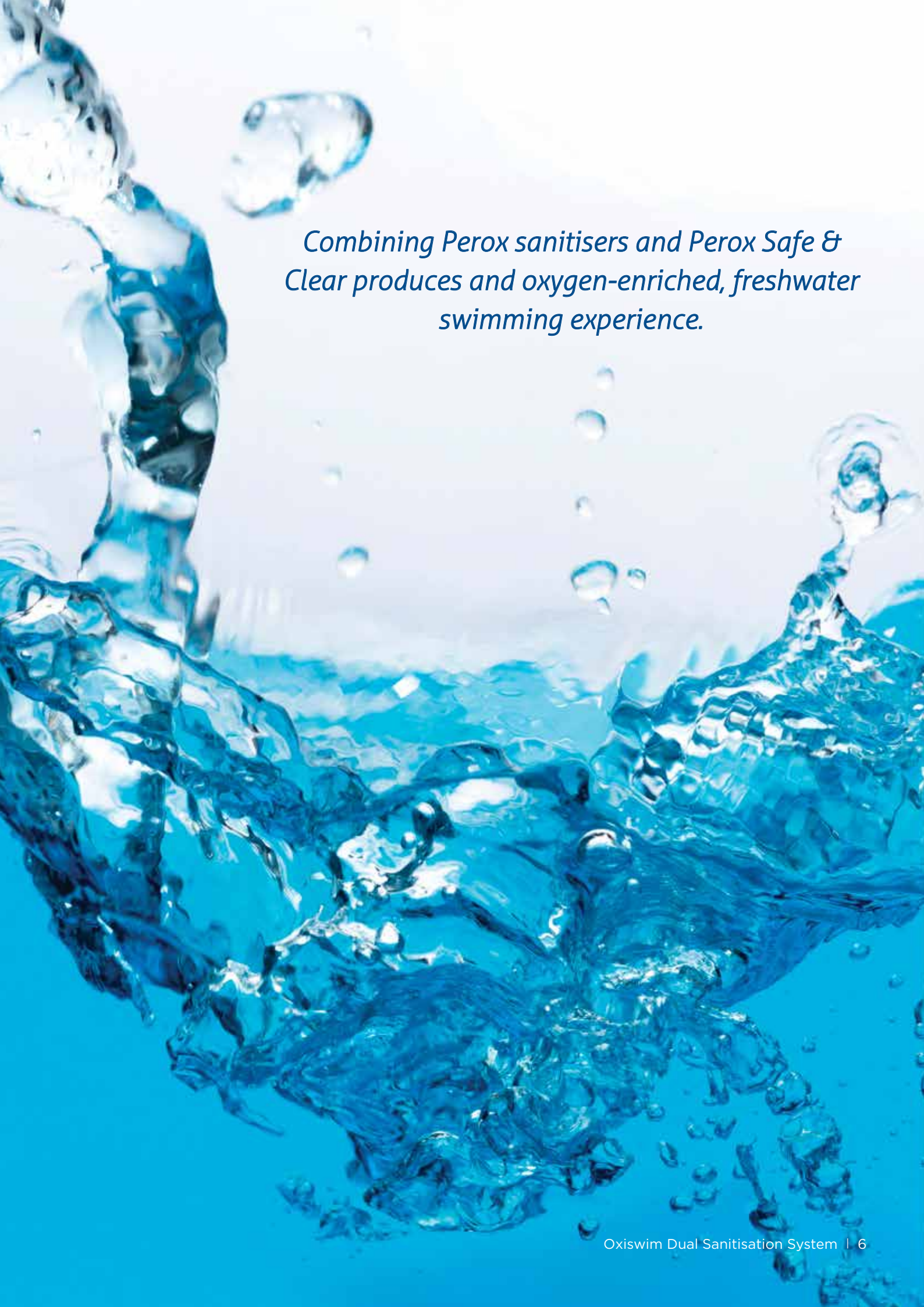
Chlorine (in its many forms) is a traditional, trusted, heavy-duty water sanitiser. However, it's well-documented that chlorine side effects include skin, eye and respiratory irritation.

Chlorine dioxide, however, is an oxidising agent globally recognised as a highly effective water sanitiser with minimal by-products. It's commonly used in large-scale water treatment applications. Chlorine dioxide breaks down into a salt, a natural mineral with virtually no side effects.

Whilst chlorine dioxide is not chlorine, it is incredibly effective in eliminating viruses, bacteria, biofilm and parasites (including Cryptosporidium). It also prevents the formation of chloramines and other disinfection by-products.

## **A unique freshwater sensation**

Hydrogen peroxide and chlorine dioxide together are proven to sanitise water far more effectively than chlorine alone. Yet, they also transform the quality of the water, along with the entire bathing experience.



*Combining Perox sanitisers and Perox Safe & Clear produces an oxygen-enriched, freshwater swimming experience.*

A close-up photograph of a woman in a blue bikini top smiling warmly as she holds a baby in a swimming pool. The baby is looking down at the water. The woman's hands are cupped, and water is splashing from them. The background is a blurred indoor pool setting.

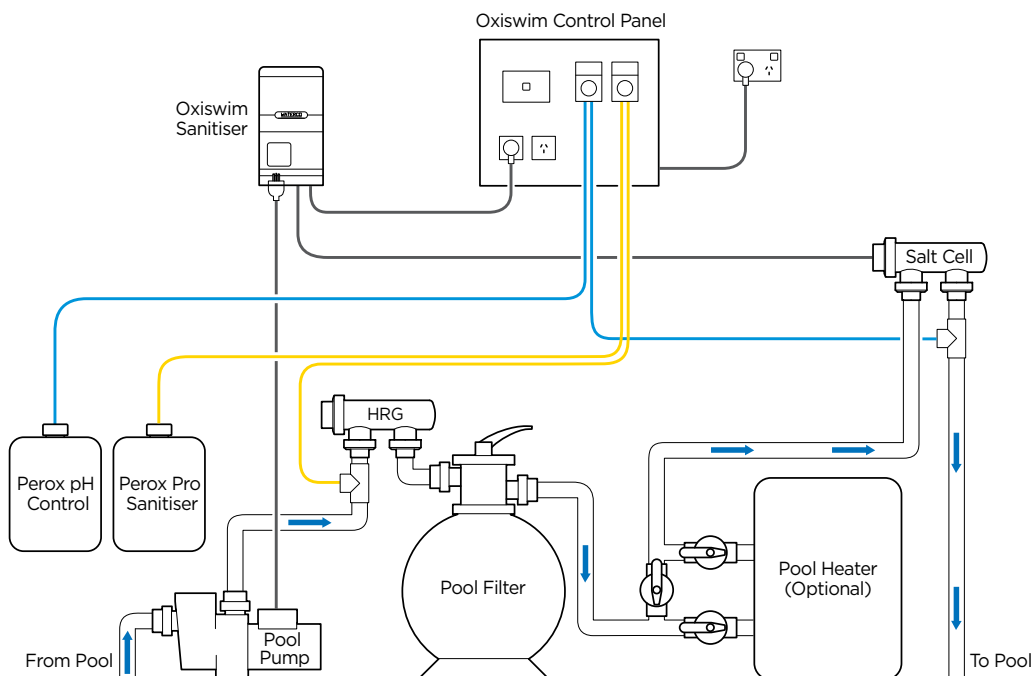
*Oxism swim produces healthy water that's gentle on the skin.*



# How it works

Where other sanitisation systems may use one or a combination of two sanitisers, Oxiswim makes the best use of several different sanitisers to create a unique bathing experience for the swimmers and bathers.

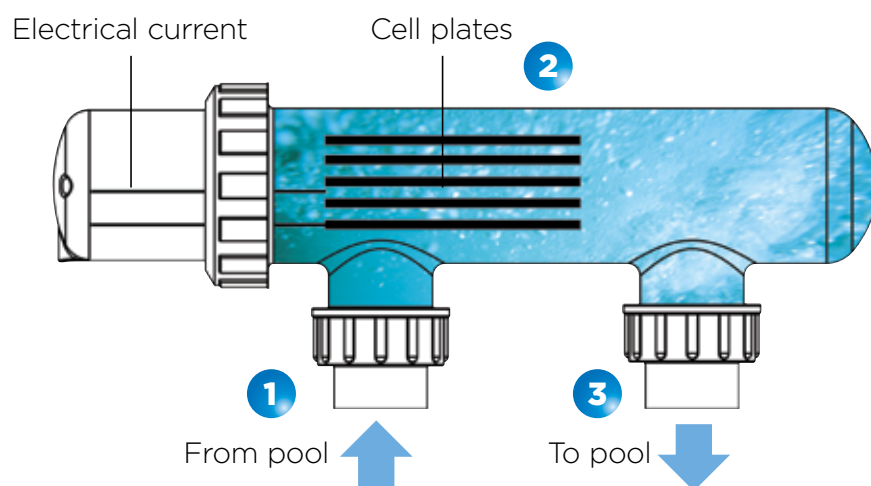
Oxiswim's innovative technology combines the use of electrolysis with hydrogen peroxide to form a bacterial killing weapon. The combined power of two sanitisers provides an oxygen-rich swimming environment that is exceptionally efficient in neutralising pathogens. In addition, it's a dual solution, which means you can flip the system in winter to a salt chlorinated pool.



# The key - Perox Safe & Clear

Perox Safe & Clear is a unique blend of salts that transform into chlorine dioxide within the system's electrolytic cell.

Perox Safe & Clear's regenerative process is highly efficient, providing economic chlorine dioxide production without undesirable by-products forming in your swimming pool.



1. Water containing unique Perox Safe & Clear salt blend
2. Perox Safe & Clear is transformed into chlorine dioxide
3. Chlorine dioxide sanitises water and breaks down again into Perox Safe & Clear salt blend

*A healthier swimming experience*



*Perox Safe & Clear is a unique blend of salts that transforms into chlorine dioxide.*

*Bring the ancient ritual of soaking in mineral-infused water to your backyard*



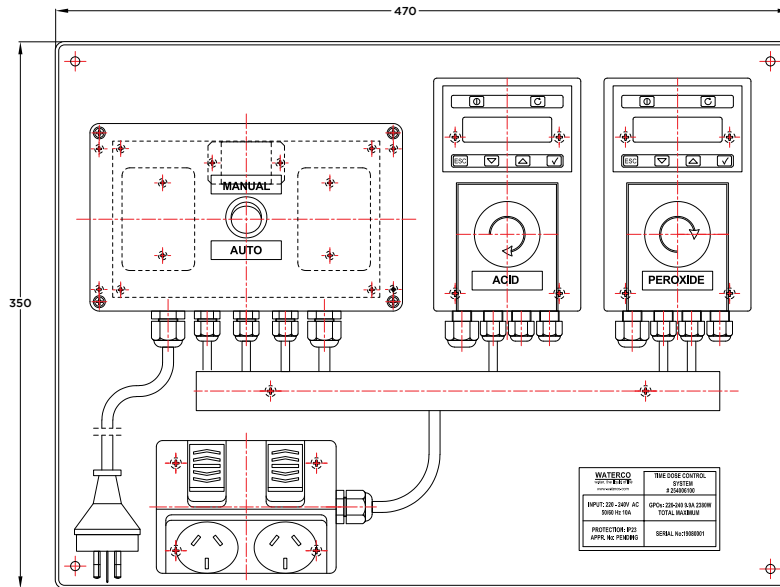
Enhance your Oxiswim experience by adding magnesium-rich Mineral Crystals or Vitale Mineral Salts.

Medical professionals have recognised magnesium to alleviate various ailments relating to the skin, muscles, and nervous system. When added to pool water, it creates a luxurious swimming experience.

A large body of mainly anecdotal evidence has shown that magnesium salts — the main mineral in the Dead Sea and naturally occurring in the human body — markedly significantly improve skin hydration, soothes common skin conditions such as dermatitis, eczema and psoriasis, and provide temporary relief from muscular inflammation and fatigue.

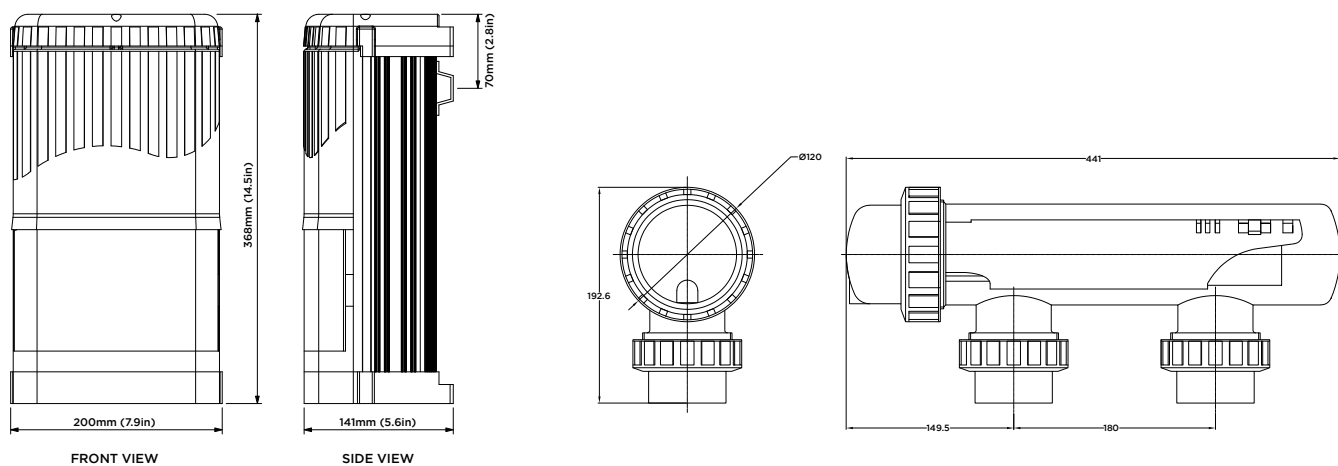
Magnesium enriched pool water is also known for its mild flocking abilities, which helps increase the capability of the pool filter to remove particularly fine material such as dust and dirt to create a crystal clear swimming pool.

## Oxiswim Control Panel Dimensions



Power Unit	
Input	220-240V AC
Frequency	50/60 Hz
Current	1.6 A
Socket Outlet	220-240V AC
Maximum Current Output	8A
Sanitiser Dosing Pump	3L/hr
pH Dosing Pump	3L/hr

## Oxiswim Sanitiser and Salt Cell Dimensions



Power Unit	
Input	220-240V AC
Frequency	50/60 Hz
Current	1.6 A
Socket Outlet	220-240V AC
Maximum Current Output	8A
Minimum Salt Level (TDS)	2000 ppm
Maximum Salt Level (TDS)	4000 ppm
Type of Salt	Standard Pool Salt/Mineral Salt

### Warranty (\*)

Component	Domestic Installation	Commercial Installation
Oxiswim Control Panel	3 years	1 year
Oxiswim Sanitiser Power Unit	3 years	1 year
Electrolytic Salt Cell	3 years	1 year

\*Please refer to Waterco terms & conditions.

# **WATERCO**

**water, the liquid of life**

Waterco pioneers reliable solutions for healthy, safe water environments, which are used in residential, commercial and industrial applications in over 40 countries.

Established in 1981, it has since become a global brand recognised for designing and manufacturing filtration and sanitisation innovations for the swimming pool, spa, aquaculture, and water purification sectors.



## CONTACT WATERCO

Waterco's head office is situated in Sydney, Australia with international offices, manufacturing plants and warehouses located in Australia, New Zealand, Malaysia, Indonesia, Singapore, China, the US, Canada, and the UK.

### OFFICES - AUSTRALIA

NSW - Sydney (Head Office)  
Tel: +61 2 9898 8600  
QLD - Brisbane  
Tel: +61 7 3299 9900  
VIC/TAS - Melbourne  
Tel: +61 3 9764 1211  
WA - Perth  
Tel: +61 8 9273 1900  
SA/NT - Adelaide  
Tel: +61 8 8244 6000  
ACT Distribution  
Tel: +61 2 6280 6476

### OFFICES - OVERSEAS

Waterco (Europe) Limited  
Sittingbourne, Kent, UK  
Tel: +44 (0) 1795 521 733

Waterco (USA) Inc  
Augusta, Georgia, USA  
Tel: +1 706 793 7291

Waterco Canada  
Boucherville, Quebec, Canada  
Tel: +1 450 748 1421

Waterco (NZ) Limited  
Auckland, New Zealand  
Tel: +64 9 525 7570

Waterco (C) Limited  
Guangzhou, China  
Tel: +86 20 3222 2180

Waterco (Far East) Sdn Bhd  
Selangor, Malaysia  
Tel: +60 3 6145 6000

PT Waterco Indonesia  
Jakarta, Indonesia  
Tel: +62 21 4585 1481

Waterco Singapore Intl Pte Ltd  
Nehsons Building, Singapore  
Tel: +65 6344 2378

DISTRIBUTED BY:

